

# Brighton Sliding Door Hardware Installation Guide

Brighton Sliding Door Hardware REV. 08/19 V1.0

**Not Available for Luxury**



## Brighton Sliding Door Hardware

Scan Here for a Digital Version of the  
Installation Guides in English.

Quartz Residential Windows & Doors:  
[www.quakerresidentialwindows.com](http://www.quakerresidentialwindows.com)

**Not Available for Commercial**



Para ver las instrucciones en Español, escanea aqui.

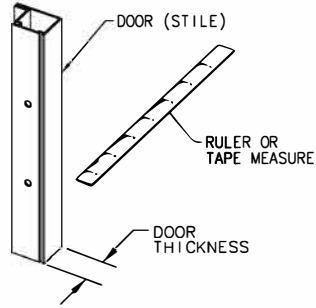
If this set of instructions does not match your installation method or the wall conditions of the job site, please check our website listed below for other options, or call Quaker Customer Service for additional information.



Quaker Window Products  
504 U.S. Hwy 63 South  
Freeburg, MO 65035  
(800) 347-0438  
[www.quakerwindows.com](http://www.quakerwindows.com)

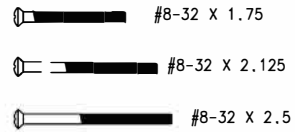
### STEP 1

MEASURE DOOR THICKNESS.



### STEP 2

DETERMINE THE PROPER LENGTH OF MOUNTING SCREWS.



DOOR THICKNESS RANGE	#8-32 PHILLIPS SCREW LENGTH
1 3/16 TO 1 9/16	1.750
1 9/16 TO 1 15/16	2.125
1 15/16 TO 2 5/16	2.500

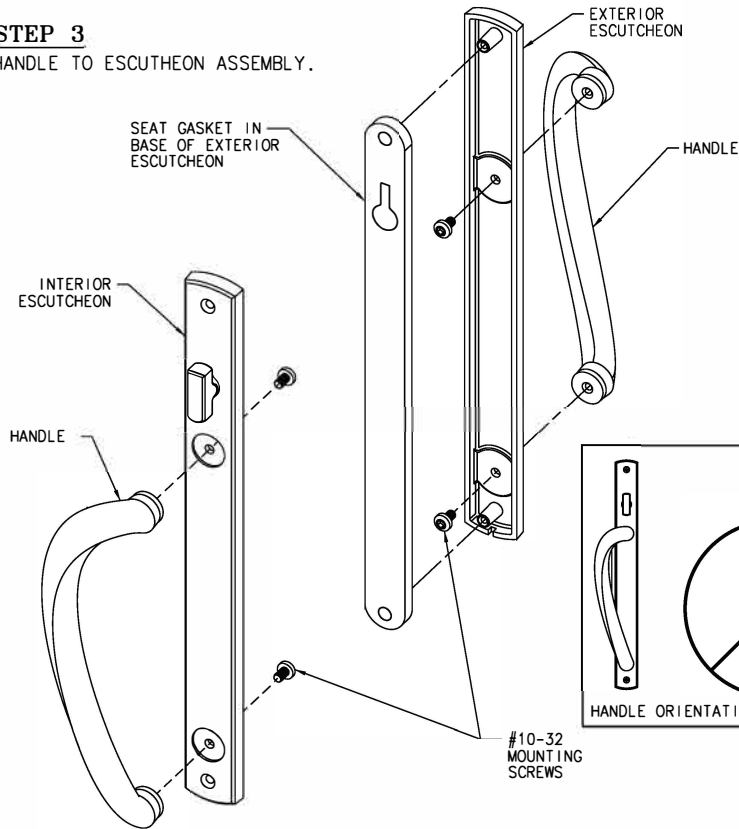


# INSTALLATION INSTRUCTIONS

HANDLES, KEEPERS AND OTHER COMPONENTS MAY NOT BE AN EXACT MATCH WITH WHAT YOU ARE INSTALLING BUT THE INSTALLATION PROCEDURE IS BASICALLY THE SAME.

### STEP 3

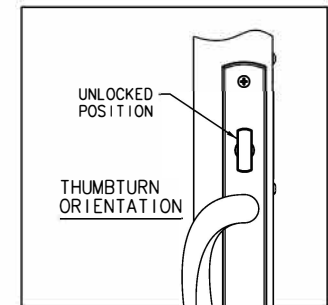
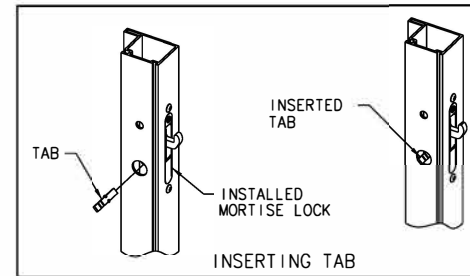
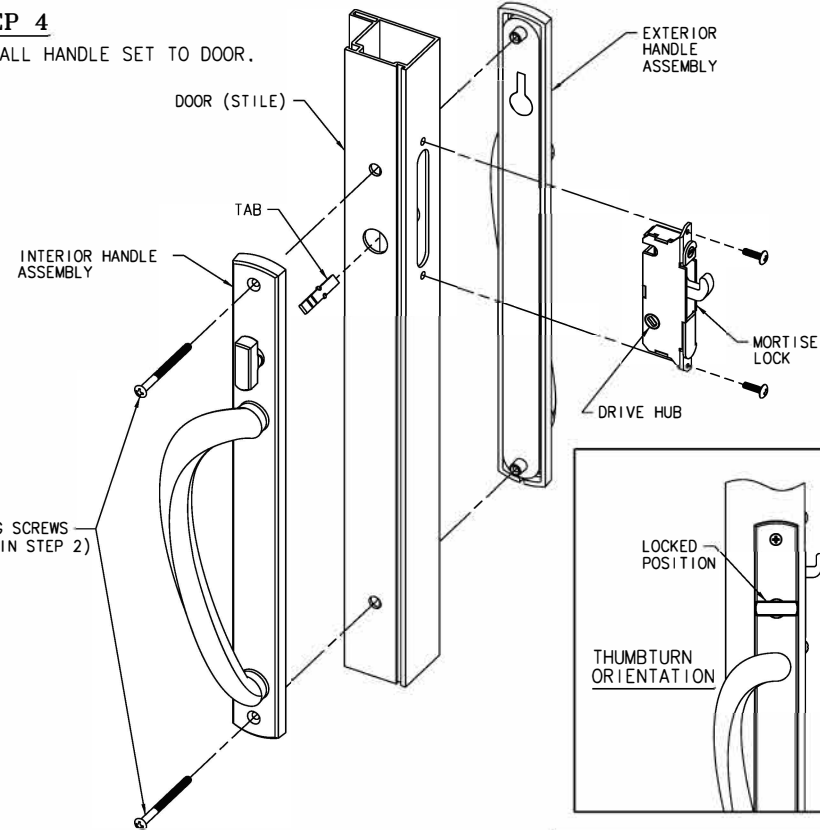
HANDLE TO ESCUTCHEON ASSEMBLY.



#8-32 MOUNTING SCREWS  
(LENGTH DETERMINED IN STEP 2)

### STEP 4

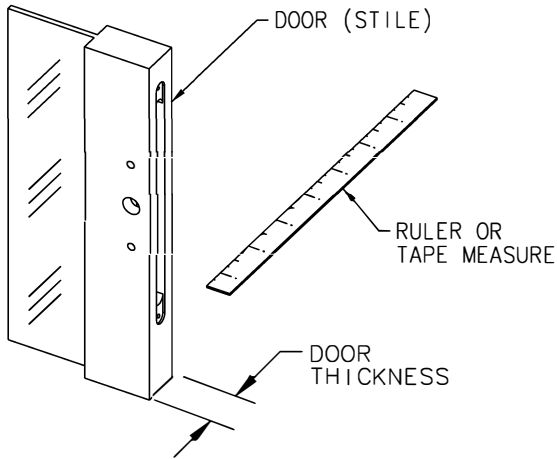
INSTALL HANDLE SET TO DOOR.



1. FASTEN THE HANDLES TO ESCUTCHEONS USING THE SHORT #10-32 MOUNTING SCREWS AS INDICATED.
2. INSTALL MORTISE LOCK.
3. INSERT TAB AS SHOWN INTO DRIVE HUB OF THE MORTISE LOCK.
4. PLACE EXTERIOR AND INTERIOR HANDLE ASSEMBLIES ON THE DOOR WITH THE HANDGRIP TOWARD THE GLASS. BE SURE THAT THE TUNG IS EXTENDING INTO THUMB TURN. THEN INSTALL USING THE DETERMINED TWO #8-32 LONG MOUNTING SCREWS AND TIGHTEN AS REQUIRED.
5. USE PROPER TOOLS AND PROTECTIVE EYEWEAR DURING INSTALLATION.

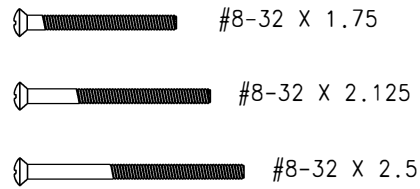
### STEP 1

MEASURE DOOR THICKNESS.



### STEP 2

DETERMINE THE PROPER LENGTH OF MOUNTING SCREWS.



DOOR THICKNESS RANGE	#8-32 PHILLIPS SCREW LENGTH
1 3/16 TO 1 9/16	1.750
1 9/16 TO 1 15/16	2.125
1 15/16 TO 2 5/16	2.500

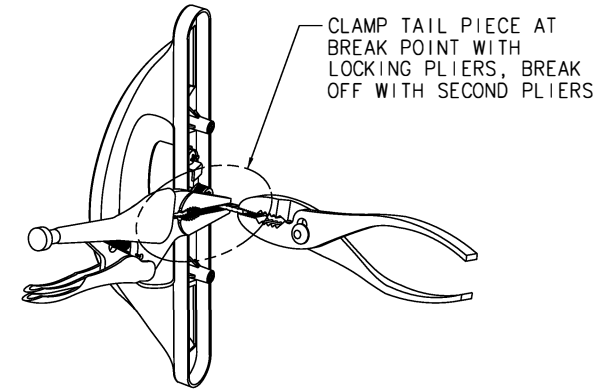


## INSTALLATION INSTRUCTIONS

HANDLES, KEEPERS AND OTHER COMPONENTS MAY NOT BE AN EXACT MATCH WITH WHAT YOU ARE INSTALLING BUT THE INSTALLATION PROCEDURE IS BASICALLY THE SAME.

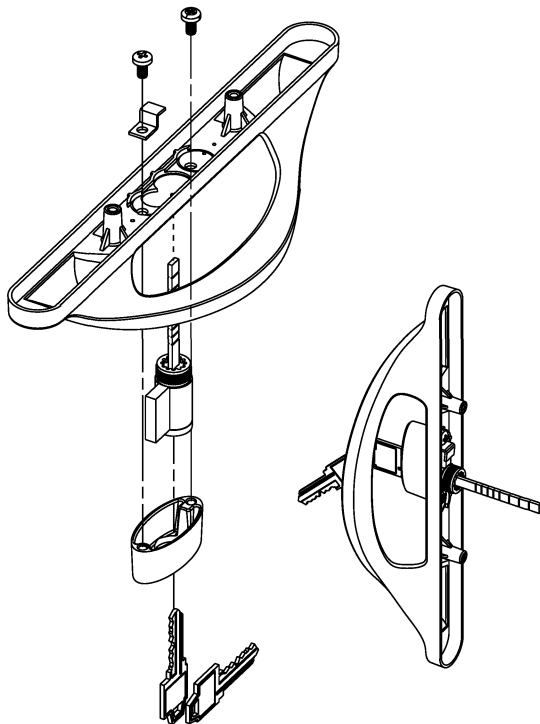
### STEP 5

2. BREAK OFF TAIL ENDS WITH PLIERS



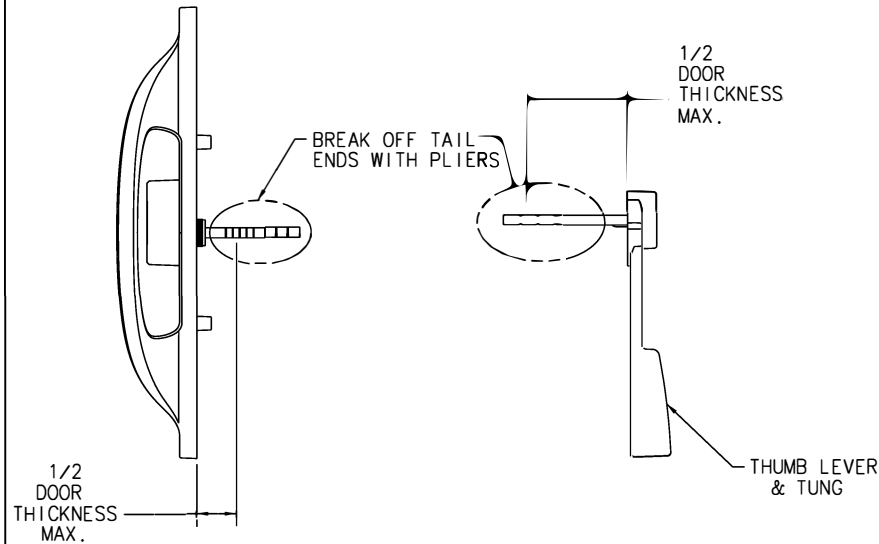
### STEP 3

LOCK CYLINDER / ESCUTCHEON ASSEMBLY



### STEP 4

SIZE TAIL PIECES TO SUIT DOOR THICKNESS



DETERMINING TAIL PIECE BY FINDING BREAK MARK CLOSEST TO 1/2 DOOR THICKNESS MAX.

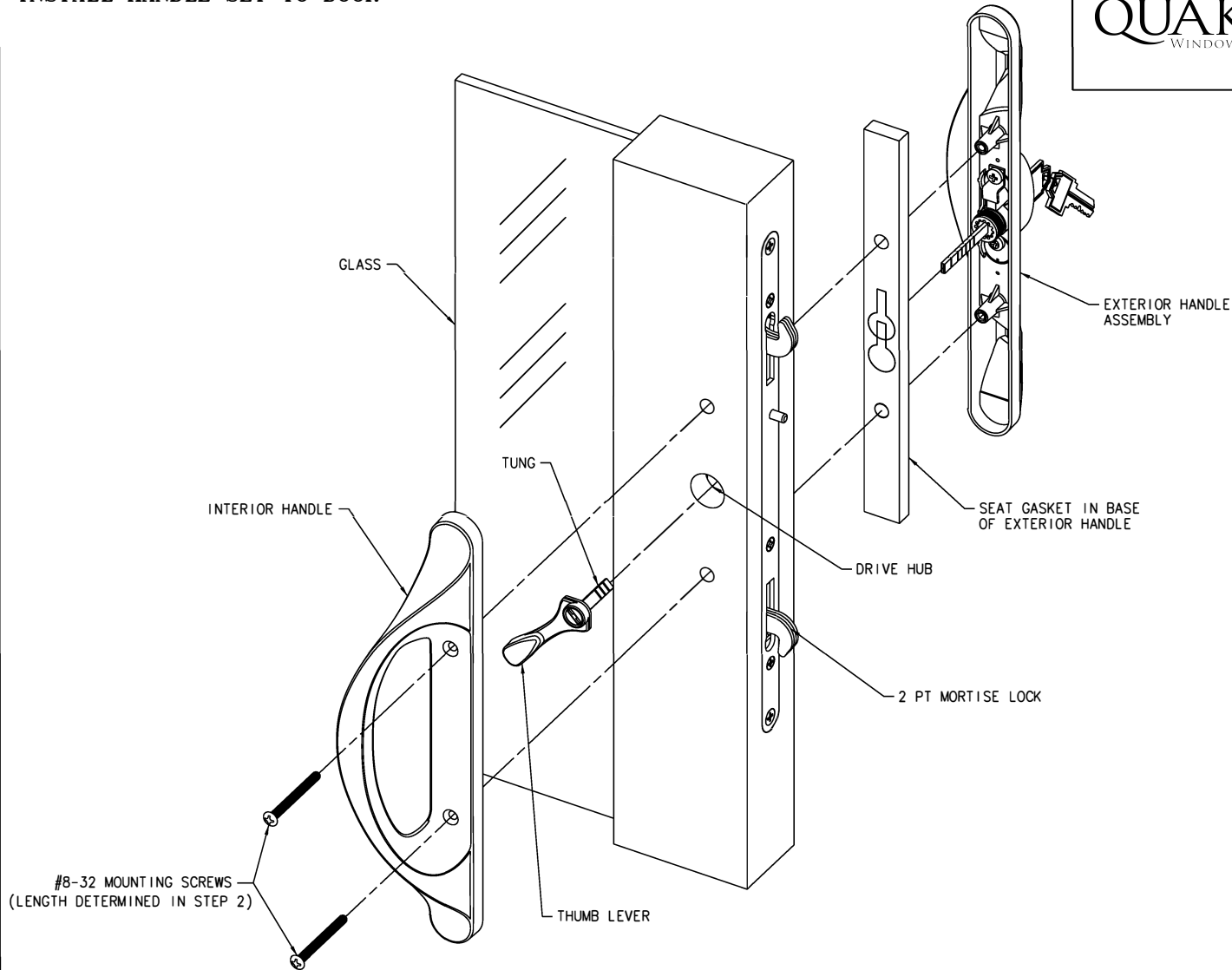
## STEP 6

### INSTALL HANDLE SET TO DOOR



## INSTALLATION INSTRUCTIONS

HANDLES, KEEPERS AND OTHER COMPONENTS MAY NOT BE AN EXACT MATCH WITH WHAT YOU ARE INSTALLING BUT THE INSTALLATION PROCEDURE IS BASICALLY THE SAME.



1. INSTALL MORTISE LOCK AND INSERT LEVER WITH TUNG EXTENDING INTO THE DRIVE HUB OF THE MORTISE LOCK.
2. PLACE EXTERIOR HANDLE ASSEMBLY WITH CYLINDER TAIL EXTENDING THROUGH MORTISE LOCK DRIVE HUB.
3. PLACE INTERIOR HANDLE OVER THE THUMB LEVER AND FASTEN TO EXTERIOR HANDLE ASSEMBLY USING THE DETERMINED TWO #8-32 MOUNTING SCREWS.
4. BE SURE TO MOUNT HANDLE ASSEMBLIES ON DOOR WITH HANDGRIP TOWARD THE GLASS.